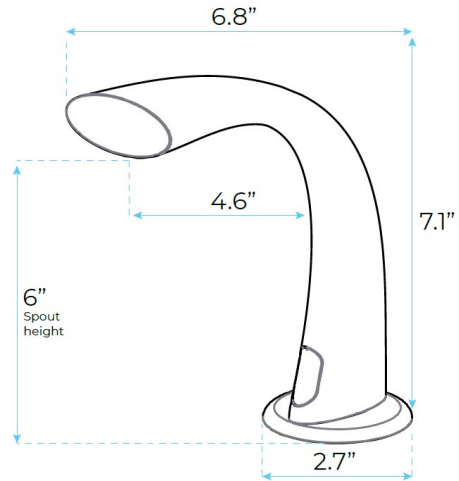


BRAVAT COMMERCIAL AUTOMATIC ELECTRICAL SENSOR FAUCET IN CHROME SPECS



SPECS:

Power: DC:6V(4AA alkaline battery)

AC:220V-240V; 50/60HZ

Temperatural adjustable 4 °C ~ 75 °C

Detection Zone: 16-32 cm or adjustable

Motor valve lifespan: up to 500000
flushes

Battery lifespan: 100000 cycles

Static Power Consumption: 0.36mw

Working Power consumption: 0.5mw

Inductive Opening Time: < 1 second

Inductive Closing Time: < 2 second

Dia.of inlet / outlet pipe: G1/2"

Flux: ≥0.07L/S

Finish: Chrome

Dia of installing faucet: 33~35mm

Flow rate: 8.3L / min @ 0.3 MPa

